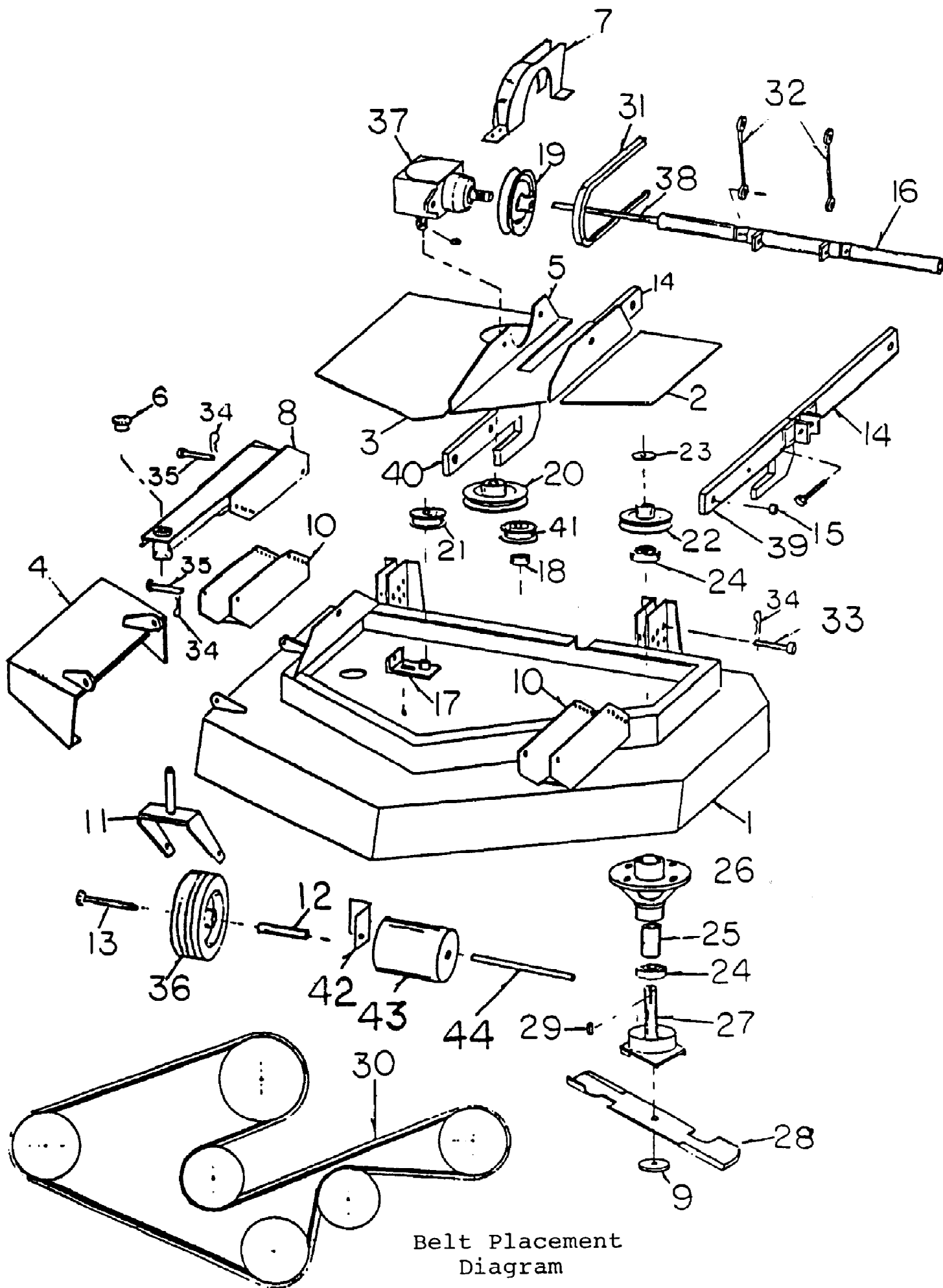


FR-18C (1985)  
42" Mower Deck (11 HP Only)

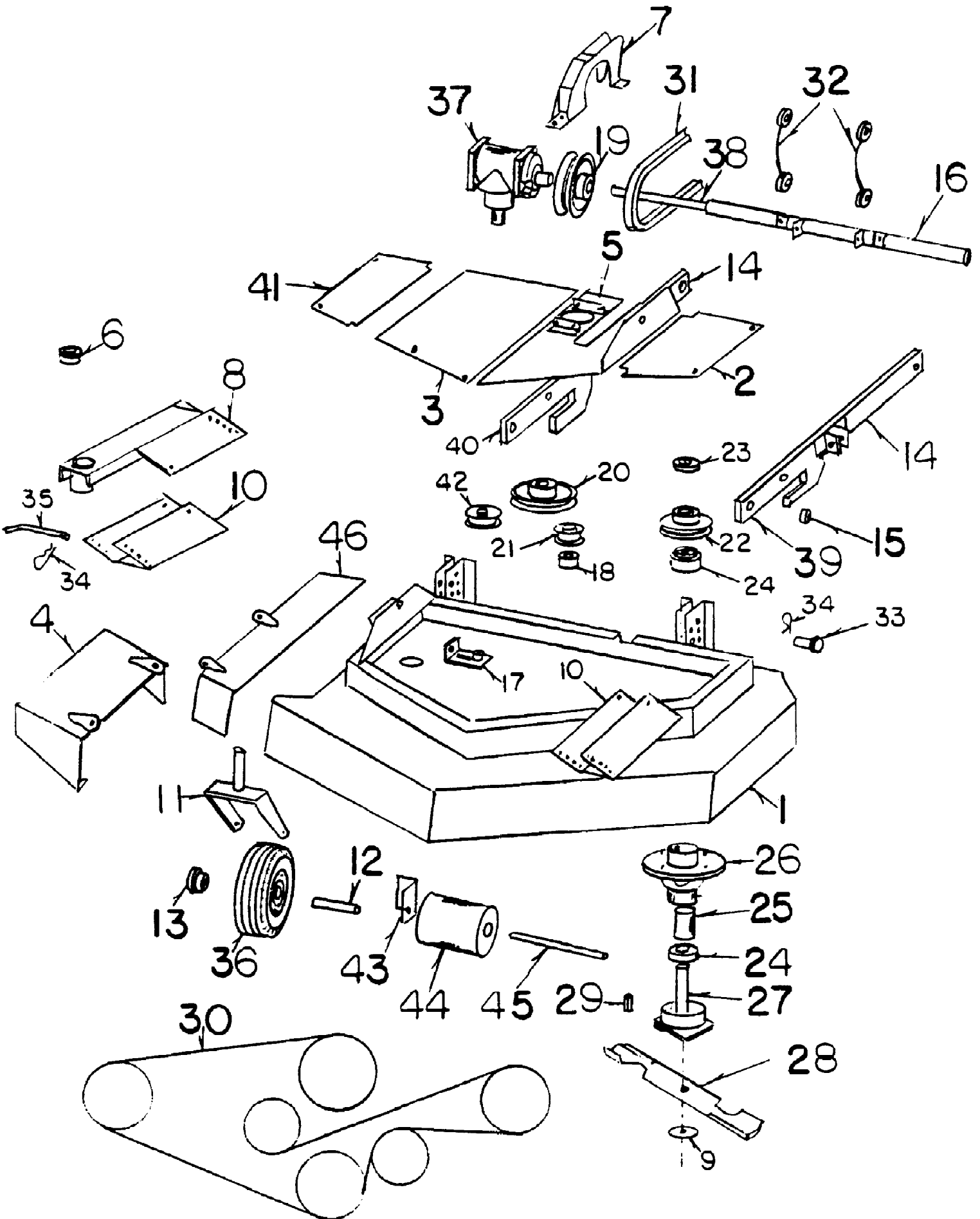


Belt Placement  
Diagram

FR-18C (1985)  
42" Mower Deck (11 HP Only)

Page 2 of 23

Ref #	Part Number	Qty	S/P/F	Description
1	WD-300-0000	1		MOWER DECK
2	WD-300-0001	1		COVER (Small)
3	WD-300-0028	1		COVER (Large)
4	WD-300-0035	1		FOOT GUARD
5	WD-301-0004	1		GEAR BOX MOUNT
6	WD-900-3507	4		GAGE WHEEL BUSHING
7	WD-300-0036	1		BELT GUARD
8	WD-300-0007	2		GAGE WHEEL MOUNT
9	WD-900-5534	3	S	SPRING WASHER
10	WD-300-0009	2	S	BRACKET, GAGE WHEEL MOUNT
11	WD-300-0010	2		FORK, GAGE WHEEL
12	WD-300-0011	2		AXLE, GAGE WHEEL
13		2		GAGE WHEEL BOLT
14	WD-301-0024	2		DECK LIFT ARM BACK ADJUSTABLE
15	WD-300-0013	2	S	BUSHING, DECK LIFT ARM
16	WD-300-0014	1		CROSSBAR
17	WD-300-0015	1		BELT TIGHTNER
18	WD-300-0016	1	S	SPACER, IDLER
19	WD-900-2525	1	S	PULLEY, GEAR BOX (Input)
20	WD-900-2505	1		PULLEY, GEAR BOX (Output)
21	WD-900-2518	1	S	PULLEY, IDLER TIGHTENER
22	WD-900-2507	3	S	PULLEY, SPINDLE
23	WD-300-0017	3	S	WASHER, SPINDLE
24	WD-900-3506	6	S	BEARING, SPINDLE
25	WD-300-0027	3	S	SPACER, SPINDLE
26	WD-300-0025	3	S	HOUSING, SPINDLE
27	WD-300-0026	3	S	SHAFT, SPINDLE
28	WD-900-5531	3	S	BLADE
29	WD-300-0021	3	S	KEY, SPINDLE
30	WD-900-3003A	1		DECK BELT
31	WD-900-3002	1		DRIVE BELT
32	WD-900-5518	2	S	CABLE, DECK
33	WD-900-5519	2		PINS, DECK
34	WD-900-5520	6		HAIR PINS
35	WD-900-5521	4		PINS, GAGE WHEEL
36	WD-900-4007	2	S	GAGE WHEEL
37	WD-900-5526	1		GEAR BOX
38	WD-300-0022	1		CROSS BAR PIN
39	WD-300-0023	1		L.H. 1 DECK LIFT ARM FRONT ADJUSTABLE L.H.
40	WD-300-0023	1		R.H. 1 DECK LIFT ARM FRONT ADJUSTABLE R.H.
41	WD-900-2508B	1		IDLER PULLEY
42	WD-300-0037	1		ROLLAR BRACKET
43	WD-900-5559	1		RUBBER ROLLAR
44	WD-300-0038	1		ROLLAR SHAFT

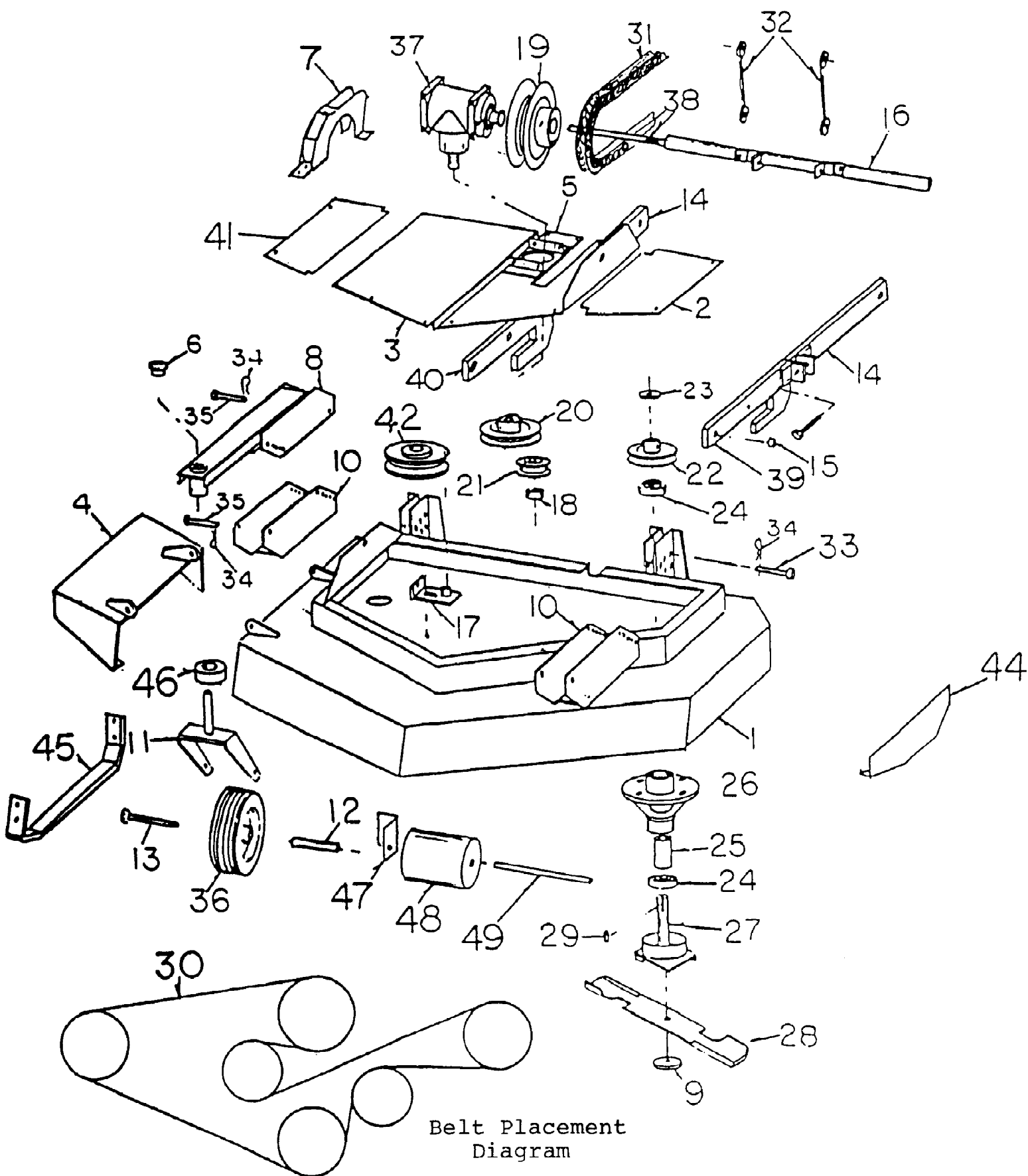


Belt Placement  
Diagram

FR-18C (1985)  
52" Mower Deck Assembly

Page 4 of 23

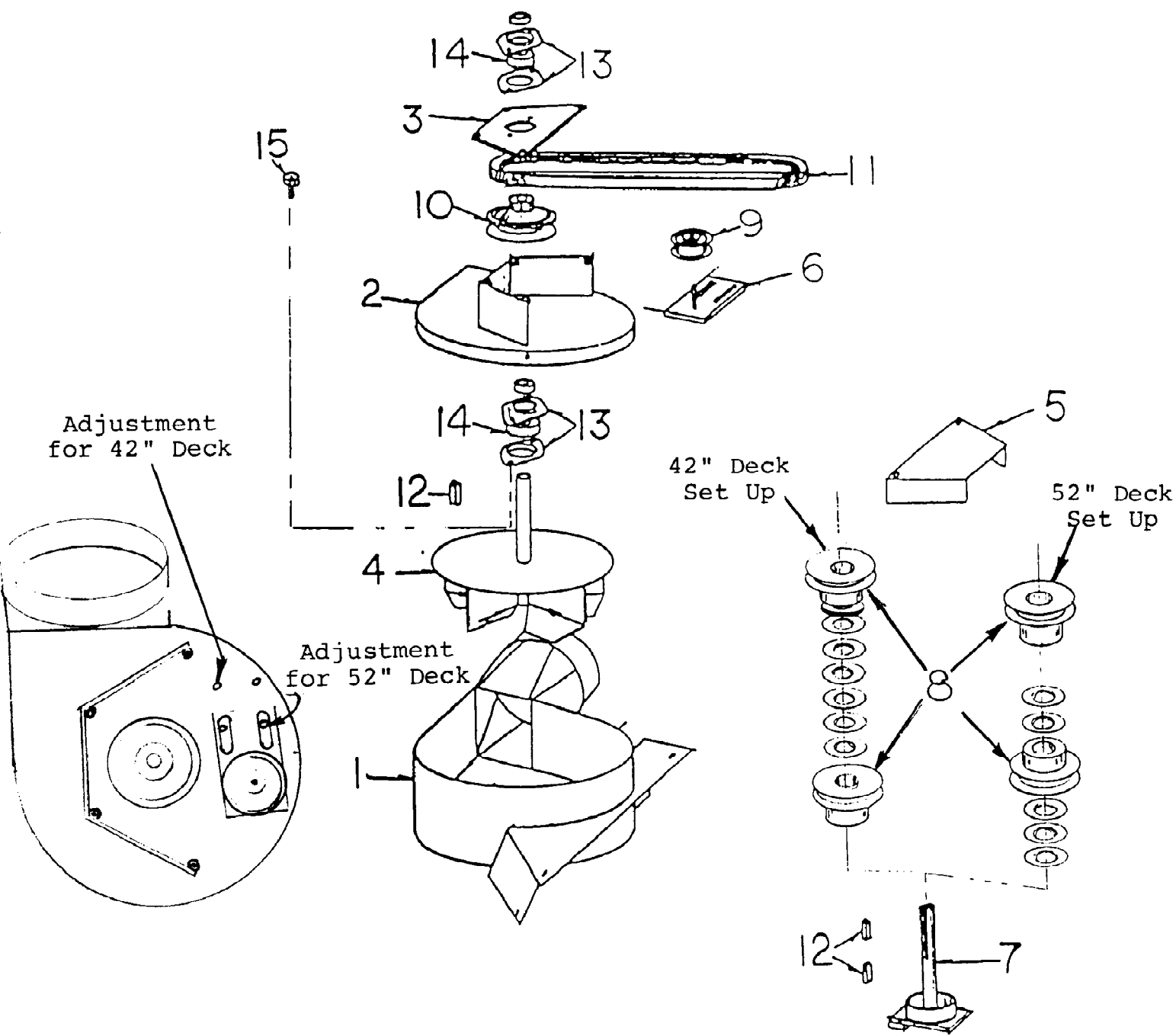
Ref #	Part Number	Qty	S/P/F	Description
1	WD-320-0000	1		MOWER DECK
2	WD-320-0001	1		COVER (Small)
3	WD-320-0002	1		COVER (Large)
4	WD-320-0003	1		FOOT GUARD
5	WD-321-0001	1		GEAR BOX MOUNT
6	WD-900-3503	4	S	GAGE WHEEL MOUNT
7	WD-311-0002	1		BELT GUARD
8	WD-330-0005	2		GAGE WHEEL MOUNT
9	WD-900-5534	3	S	SPRING WASHER
10	WD-320-0006	2	S	BRACKET, GAGE WHEEL MOUNT
11	WD-330-0007	2		FORK, GAGE WHEEL
12	WD-200-0017	2	S	AXLE, GAGE WHEEL
13	WD-900-3505	4	S	WHEEL BEARING
14	WD-301-0024	2		DECK LIFT ARM BACK ADJUSTABLE FR18
	WD-330-0024	2		DECK LIFT ARM BACK ADJUSTABLE FR18C
15	WD-300-0013	2	S	BUSHING, DECK LIFT ARM
16	WD-300-0014	1		CROSSBAR
17	WD-330-0012	1		BELT TIGHTENER
18	WD-300-0016	1	S	SPACER IDLER
19	WD-900-2525	1	S	PULLEY, GEAR BOX (Input)
20	WD-900-2510	1		PULLEY, GEAR BOX (Output)
21	WD-900-2522	1	S	PULLEY, IDLER (Small)
22	WD-900-2511	3	S	PULLEY, SPINDLE
23	WD-300-0017	3	S	WASHER, SPINDLE
24	WD-900-3506	6	S	BEARING, SPINDLE
25	WD-300-0027	3	S	SPACER, SPINDLE
26	WD-300-0025	3	S	HOUSING, SPINDLE
27	WD-300-0026	2	S	SHAFT, SPINDLE
28	WD-900-5528	3	S	BLADE
29	WD-300-0021	3	S	KEY, SPINDLE
30	WD-900-3005B	1	S	DECK BELT
31	WD-900-3004	1	S	DRIVE BELT FR18
	WD-900-3012	1		DRIVE BELT FR18C
32	WD-900-5518	2	S	CABLE, DECK
33	WD-900-5519	2		PINS, DECK
34	WD-900-5520	6		HAIR PINS
35	WD-900-5536	4		PINS, GAGE WHEEL
36	WD-900-4004	2		GAGE WHEEL
37	WD-900-5535	1	S	GEAR BOX
38	WD-300-0022	1		CROSSBAR PIN
39	WD-300-0023	1		L.H. 1 DECK LIFT ARM FRONT ADJUSTABLE
40	WD-300-0023B	1		R.H. 1 DECK LIFT ARM FRONT ADJUSTABLE
41	WD-320-0009	1		COVER, RIGHT HAND SIDE
42	WD-900-2521	1	S	PULLEY, IDLER (Large)
43	WD-300-0037	1		RUBBER ROLLAR
44	WD-900-5559	1		RUBBER ROLLAR
45	WD-300-0038	1		ROLLAR SHAFT
46	WD-320-0010	1		FOOT GUARD MOUNT



FR-18C (1985)  
62" Mower Deck Assembly

Page 6 of 23

Ref #	Part Number	Qty	S/P/F	Description
1	WD-330-0000	1	S	MOWER DECK
2	WD-330-0001	1		COVER (Small)
3	WD-330-0002	1		COVER (Large)
4	WD-330-0003	1		FOOT GUAD
5	WD-331-0004	1		GEAR BOX MOUNT
6	WD-900-3503	4	S	GAUCE WHEEL BEARINGS
7	WD-311-0002	1		BET GUARD
8	WD-330-0005	2		GAGE WHEEL IOUNT
9	WD-900-5534	3	S	SPRING WASHER
10	WD-320-0006	2	S	BRACKET, GAGE WHEEL MOUI
11	WD-330-0007	2		FORK GAGE WHEEL
12	WD-200-0017	2	S	AXLE
13		2		AXLE BOLT
14	WD-330-0024	2		DECK LIT ARM BACI ADJUSTABLE
15	WD-300-0013	2	S	BUSHING, DECK LIFT ARM
16	WD-300-0014	1		CROSS BAR
17	WD-330-0012	1		BELT TIGHTENER
18	WD-330-0016	1		SPACER IDLER
19	WD-900-2514	1		PULLEY GEAR BOX (Input)
20	WD-900-2510	1		PULLEY GEAR BOX (Output)
21	WD-900-2522	1	S	5' IDLER
22	WD-900-2512	3		PULLEY SPINDLE
23	WD-300-0017	3	S	WASHER SPINDLE
24	WD-900-3506	6	S	BEARING, SPINDLE
25	WD-300-0034	3	S	SPACER SPINDLE
26	WD-300-0031	3	S	HOUSING SPINDLE
27	WD-300-0032	3	S	SHAFT SPINDLE
28	WD-900-5529	3	S	BLADE
29	WD-300-0021	3	S	KEY SPINDLE
30	WD-900-3008B	1	S	BELT, DECK
31	WD-900-3012	1		BELT, DRIVE
32	WD-900-5518	2	S	CABLE DECK
33	WD-900-5519	2		PIN, DECK
34	WD-900-5520	6		HAIR PIN
35	WD-900-5536	4		PINS, CAGE WHEEL
36	WD-900-4004	2		GAGE WHEEL
37	WD-900-5535	1	S	GEAR BOX
38	WD-300-0022	1		CROSS BAR PIN
39	WD-300-0023	1		DECK LIFT ARM FRONT ADJUSTABLE L.H
40	WD-300-0024	1		DECK LIFT ARM FRONT ADJUSTABLE R.H
41	WD-330-0009	1		COVER, RIGHT HAND SIDE
42	WD-900-2521	1	S	PULLEY, IDLER LARGE
44	WD-330-0008	1	S	SHOE LEFT HAND SIDE
45	WD-330-0011	1	S	SHOE RIGHT HAND SIDE
46	WD-900-5510	2		SET COLLAR
47	WD-300-0037	1		ROLLAR BRACKET
48	WD-900-5559	1		RUBBER ROLLAR
49	WD-300-0038	1		ROLLAR SHAET

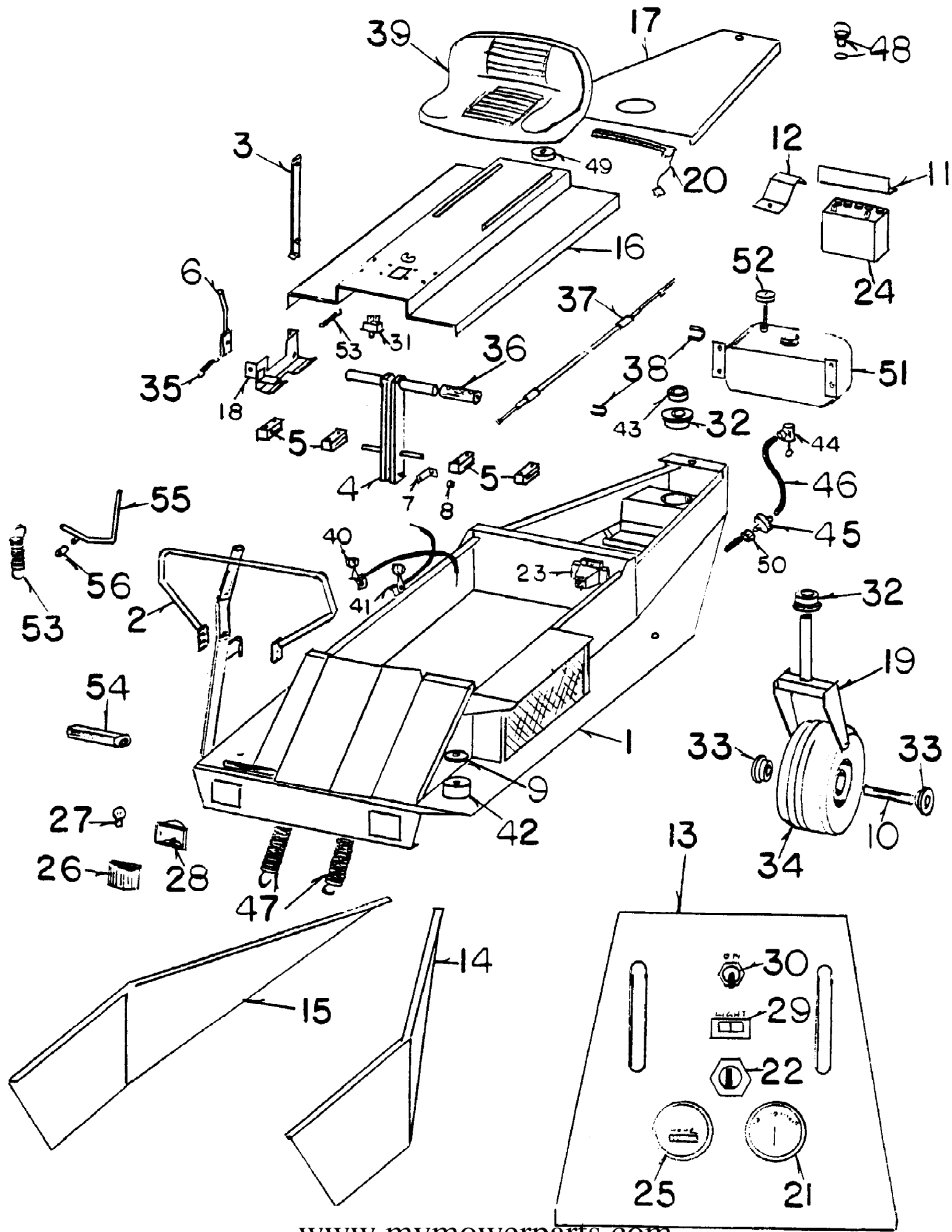


FR-18C (1985)  
Blower Assembly

Page 8 of 23

Ref #	Part Number	Qty	S/P/F	Description
1	WD-400-0000	1		BLOWER HOUSING
2	WD-400-0001	1		BLOWER CAP
3	WD-400-0002	1		BLOWER BEARING PLATE
4	WD-400-0003	1	S	BLOWER BLADE ASSEMBLE
5	WD-400-0004	1		BLOWER GUARD
6	WD-400-0005	1		BELT TIGHTENER
7	WD-300-0033	1		SHAFT, SPINDLE LONG
8	WD-900-2507	1	S	PULLEY, SPINDLE
9	WD-900-2501	1	S	PULLEY, IDLER
10	WD-900-2523	1		PULLEY, BLOWER
11	WD-900-3010	1	S	BELT, G1642 & G1842 BLOWER
	WD-900-3000	1		BELT, G1652 & G1852 BLOWER
12	WD-300-0021	1	S	KEY
13	WD-900-3508	1	S	FLANGE
14	WD-900-3509	1	S	3/4 BEARING
15		1		4 5/16-18 x 5/8 LONG BOLT





FR-18C (1985)  
Body Assembly

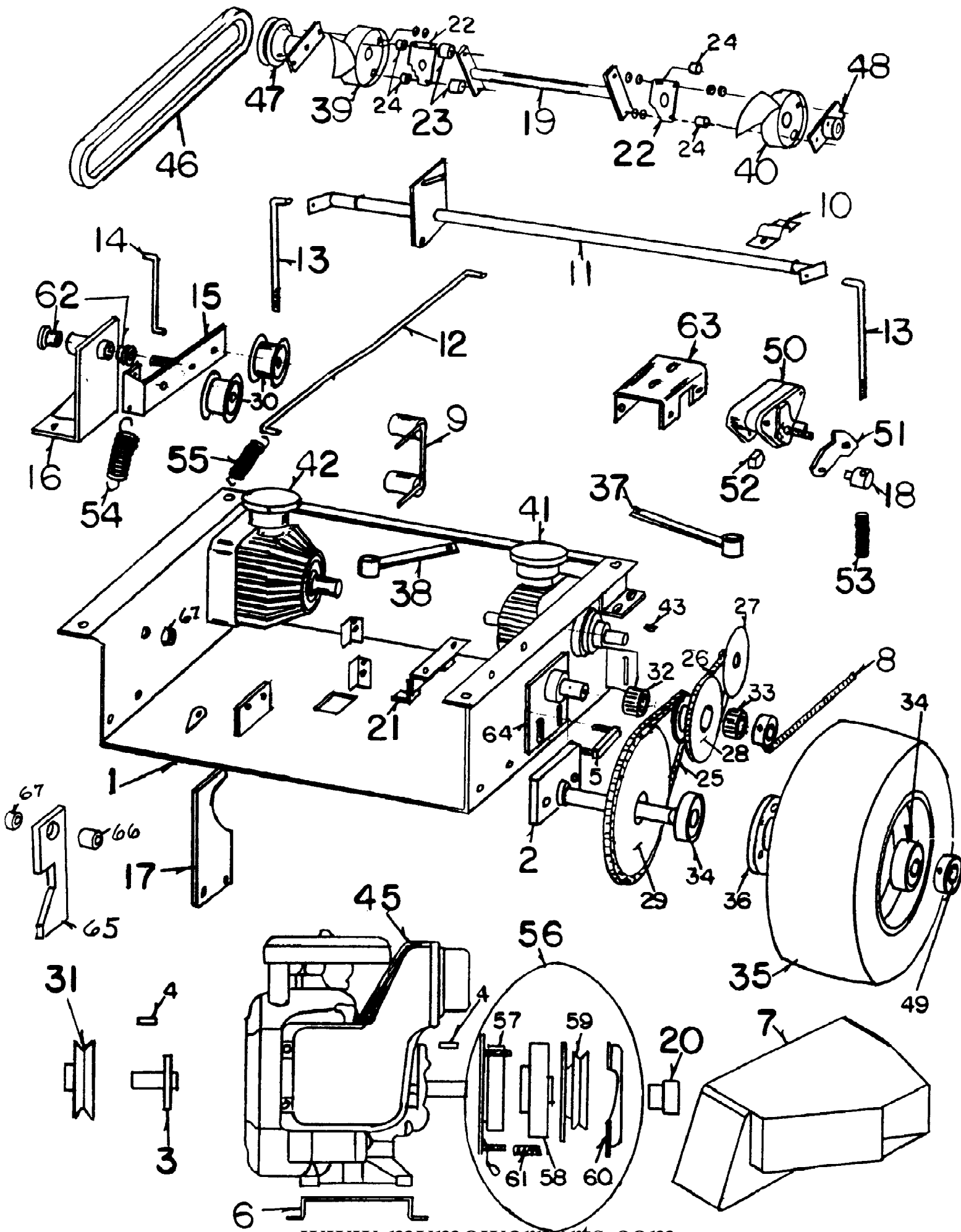
Page 10 of 23

Ref #	Part Number	Qty	S/P/F	Description
1	WD-201-0000	1		BODY
2	WD-200-0007	1		GUARD RAIL
3	WD-200-0008	1		LDD PROP
4	WD-200-0009	2		STEERING LEVER
5	WD-200-0010	4		EARING BLOCK, STEERING LEVER
6	WD-200-0012	1		LATCH, LEVER LOCK
7	WD-200-0013	4	S	STEEFING CABLE END
8	WD-200-0014	4	S	BUSHING, STEERING CABLE END
9	WD-200-0015	4		BODY MOUNT WASHER
10	WD-200-0017	1	S	AXLE, TAIL WHEEL (FR11 & FR18)
	WD-230-0017	1		AXLE, TAIL WHEEL (FR18C)
11	WD-200-0018	1		HOLD DON
12	WD-200-0021	1		BATTERY POST PROTECTOR
13	WD-201-0006	1	S	DASH BOARD
14	WD-201-0007	1		FENDB L.H.
15	WD-201-0008	1		FENDER R.H.
16	WD-201-0004	1		LED
17	WD-201-0009	1		BACK COVER
18	WD-201-0010	1		LEVER LOCK
19	WD-200-0016	1		TAIL WHEEL FORK (FR11)
	WD-210-0001	1		TAIL WHEEL FORK (FR18)
	WD-230-0001	1	S	TAIL WHEEL FORK (FR18C)
20	WD-900-2001	1		SEAT SWITCH
21	WD-900-2002	1		AMP. METER
22	WD-900-2003	1	S	STARTER SWITCH
23	WD-900-2005	1		SOLENOID
24	WD-900-2004	1		BATTERY
25	WD-900-2023	1	S	HOUR METER
26	WD-900-2024	2	S	LENS
27	WD-900-2025	2	S	BLUB
28	WD-900-2026	2		LAMP
29	WD-900-2027	1	S	LIGHT SWITCH
30	WD-900-2028	1	S	CLUTH SWICHTH
31	WD-900-2029	1	S	SAFTY SWITCH
32	WD-900-3503	2	S	BEARING, TAIL HEEL HOUSINC
33	WD-900-3505	2	S	EEARING, TAIL WHEEL
34	WD-900-4004	1		TAIL WHEEL ASSEMBLY (FR11)
	WD-900-4014	1		TAIL WHEEL ASSEMBLY (FR18)
	WD-900-4017	1	S	TAIL WHEEL ASSEMBLY (FR18C)
35	WD-900-5501	1		SPRING, LEVER LOCK
36	WD-900-5500	3	S	HANDLE GRIP
37	WD-900-5502	2	S	STEERING CABLE
38	WD-900-5503	4	S	CLAMP
39	WD-900-5506	1		SEAT
40	WD-900-5507	1	S	THROTTLE CABLE
41	WD-900-5508	1		CHOKE CABLE
42	WD-900-5509	8		RUBBER BODY MOUNT
43	WD-900-5510	1		SET COLLAR
44	WD-900-5513	1		VALVE, FUEL TANK
45	WD-900-5514	1	S	FUEL FILTER
46	WD-900-5516	1		FUEL HOSE
47	WD-900-5516	1	F	DECK SPRING (2ea, FR11 FR18)
48	WD-900-5522			CORNER

FR-18C (1985)  
Body Assembly

Page 11 of 23

Ref #	Part Number	Qty	S/P/F	Description
49	WD-900-5523	4		SPACER, SEAT
50	WD-900-5525	4	S	CLAMP, FUEL HOSE
51	WD-900-5533	1		FUEL TANK
52	WD-900-5561	1	S	CAP FUEL TANK
53	WD-900-5562	2		SPRING
54	WD-900-5563	1	S	PAD, BRAKE
55	WD-201-0001	1		BRAKE LOCK
56	WD-201-0002	1		TUB, BRAKE LOCK



FR-18C (1985)  
Drive Assembly

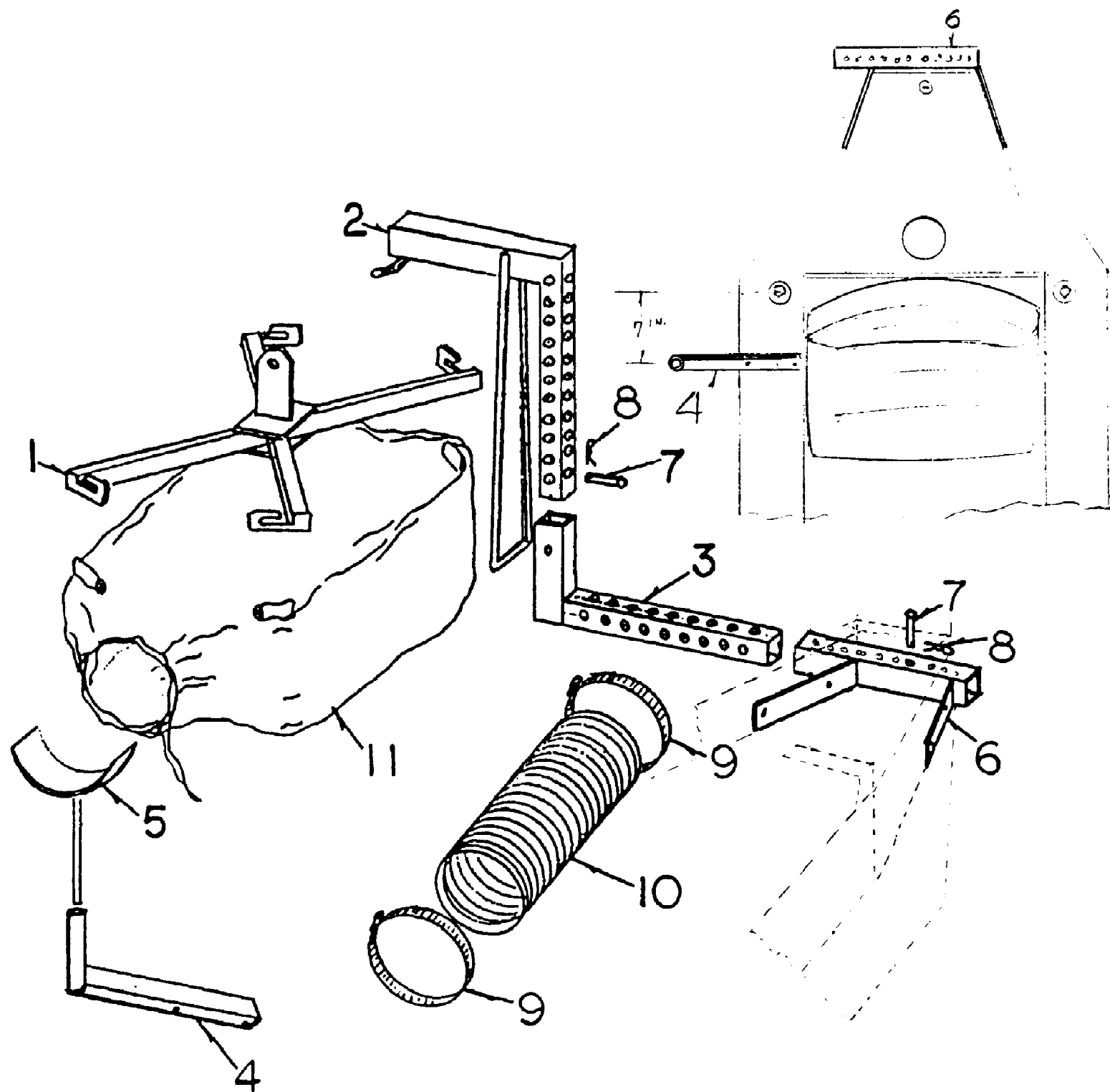
Page 13 of 23

Ref #	Part Number	Qty	S/P/F	Description
1	WD-111-0000	1		BASE
2	WD-100-0001	2		AXLE, DRIVE WHEEL (FR11 FR18)
	WD-120-0001	2		AXLE, DRIVE WHEEL (FR18C)
3	WD-100-0013	1	S	ENGINE SHAFT
4	WD-100-0014	2	S	KEY STOCK
5	WD-100-0016	2		BOLT BAR
6	WD-101-0001	1		11 H.P. ADAPTER PLATE
7	WD-101-0002	1		AIR DUCT (FR11)
	WD-111-0001	1		AIR DUCT (FR18 FR18C)
8	WD-100-0017	1	S	L.H. 1 R.H. SUPPORT COLLARS
9	WD-111-0003	1		BELT RETAINER
10	WD-111-0004	2	S	BEARING, CLUTCH BRAKE CROSS ROD
11	WD-111-0005	1		CLUTCH BRAKE CROSS ROD
12	WD-111-0006	1		BRAKE PEDAL ROD
13	WD-111-0007	2		CALIPER ROD
14	WD-111-0008	1		CLUTCH ROD
15	WD-111-0009	1		CLUTCH PULLEY MOUNT
16	WD-111-0010	1		CLUTCH BRACKET
17	WD-111-0012	1		BELT RETAINER, ENGINE
18	WD-111-0014	2		CALIPER OD COLLAR
19	WD-111-0018	1		CROSS SHAFT
20	WD-111-0020	1		ELECTRIC CLUTCH RETAINER (FR11)
	WD-900-5575	1		ELECTRIC CLUTCH RETAINER (FR18 FR18C)
21	WD-111-0024	1		ELECTRIC CLUTCH STOP (FR11 ONLY)
22	WD-111-0021	2	S	DRIVE PLATE
23	WD-111-0022	2		SPACER
24	WD-111-0025	4		BOLT SPACER
25	WD-900-1000	2	S	CHAIN, FINAL DRIVE (FR11 FR18)
	WD-900-1003	2		CHAIN, FINAL DRIVE (FR18C)
26	WD-900-1001	2		CHAIN, PRIMARY DRIVE (FR11 FR18)
	WD-900-1005	2		CHAIN, PRIMARY DRIVE (FR18C)
27	WD-901-1505	2	S	SPROCKET TRANSMISSION DISC BRAKE
28	WD-901-1501	2	S	SPROCKET, PRIMARY DRIVE (FR11 FR18)
	WD-901-1504	2	S	SPROCKET, PRIMARY DRIVE (FR18C)
29	WD-901-1502	2	S	SPROCKET, FINAL DRIVE (FR11 FR18)
	WD-901-1503	2		SPROCKET, FINAL DRIVE (FR18C)
30	WD-900-2501	2	S	IDLER PULLEY
31	WD-900-2503	1	S	PULLEY, ENGINE
32	WD-900-3500	2	S	SHORT BEARING, IDLER SPROCKET
33	WD-900-3502	1	F	LONG BEARING, IDLER SPROCKET (2ea, FR11 FR18)
34	WD-900-3501	4	S	BEARING, DRIVE WHEEL
35	WD-900-4012	2		DRIVE WHEEL ASSEMBLE (FR18)
	WD-900-4013	2		DRIVE WHEEL ASSEMBLE (FR18C)
	WD-900-4011	2		DRIVE WHEEL ASSEMBLE (FR11)
36	WD-900-4009	2		WHEEL HUB (FR11 FR18)
	WD-900-4010	2		WHEEL HUB (FR18C)
37	WD-901-4506	1		ARM TRANSMISSION R.H.
38	WD-901-4507	1		ARM, TRANSMISSION L.H.
39	WD-900-4519	1	S	C.W. FAN R.H. SIDE
40	WD-900-4520	1		C.W. FAN L.H. SIDE

FR-18C (1985)  
Drive Assembly

Page 14 of 23

Ref #	Part Number	Qty	S/P/F	Description
41	WD-900-4504	1	S	TRANSMISSION L.H. C.W.
42	WD-900-4505	1		TRANSMISSION R.H. C.C.W.
43	WD-900-4508	6	S	TRANSMISSION KEY
	WD-111-0026	1		ELECTRIC CLUTCH STOP (FR18 FR18C)
45	WD-900-5002	1		BRIGGS STRATTON 18 H.P.
	WD-900-5000	1		BRIGGS STRATTON 11 H.P.
46	WD-900-3011	1	S	BELT, TRANSMISSION
47	WD-900-4521	1	S	PULLEY, TRANSMISSION WITH DRIVE PLATE 3A:
48	WD-900-4522	1		HUB, TRANSMISSION WITH DRIVE PLATE 3AR
49	WD-900-5510	2		SET COLLAR, DRIVE WHEEL
50	WD-900-5564	2		BRAKE CALIPER
51	WD-900-5565	1		L.H. 1 EA CALIPER LEVER
	WD-900-5566	1		R.H. 1 EA CALIPER LEVER
52	WD-900-5567	4	S	BRAKE PAD
53	WD-900-5568	2		CALIPER SPRING
54	WD-900-5569	1	S	CLUTCH SPRING
55	WD-900-5570	1		BRAKE PEDAL SPRING
56	WD-900-5581	1	S	ELECTRIC CLUTCH
57	WD-900-5585	1	S	ELECTRIC CLUTCH COIL
58	WD-900-5584	1	S	ELECTRIC CLUTCH COIL HOUSING
59	WD-900-5583	1		CLUTCH ARMATURE
60	WD-900-5582	1		CLUTCH BRAKE
61	WD-900-5586	3		CLUTCH SPRING
62	WD-900-3507	2		BUSHING
63	WD-900-5588	2		CALIPER BRACKET
64	WD-100-0002	2	S	SHAFT IDLER SPROCKET
65	WD-111-0023	1		FORWARD NOSE DOWN LOCK
66	WD-300-0013	1	S	BUSHING LONG
67	WD-300-0013S	3	S	BUSHING SHORT

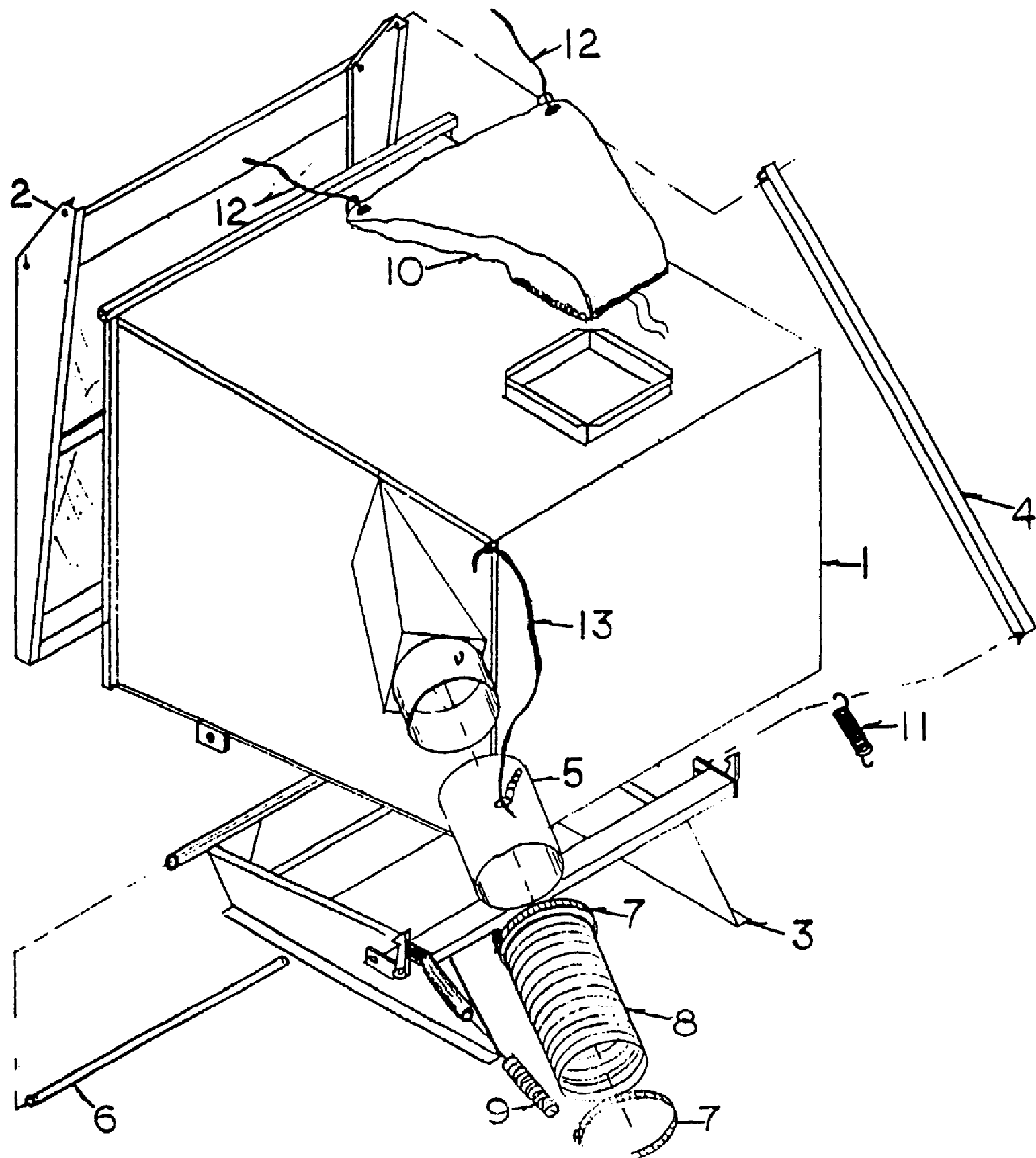


FR-18C (1985)  
Grass Bagger

Page 16 of 23

Ref #	Part Number	Qty	S/P/F	Description
1	WD-410-0000	1		GRASS BAG HANGER
2	WD-410-0001	1		VERTICAL ARM
3	WD-410-0002	1		HORIZONTAL ARM
4	WD-410-0003	1		HANGER BRACKET
5	WD-410-0004	1		VAC HOSE SADDLE
6	WD-410-0005	1		REAR MOUNTING BRACKET
7	WD-900-5555	2		PINS
8	WD-900-5520	2		HAIR PINS
9	WD-900-5550	2		HOSE CLAMP
10	WD-900-5551	1		HOSE
11	WD-900-5553	1		BAG

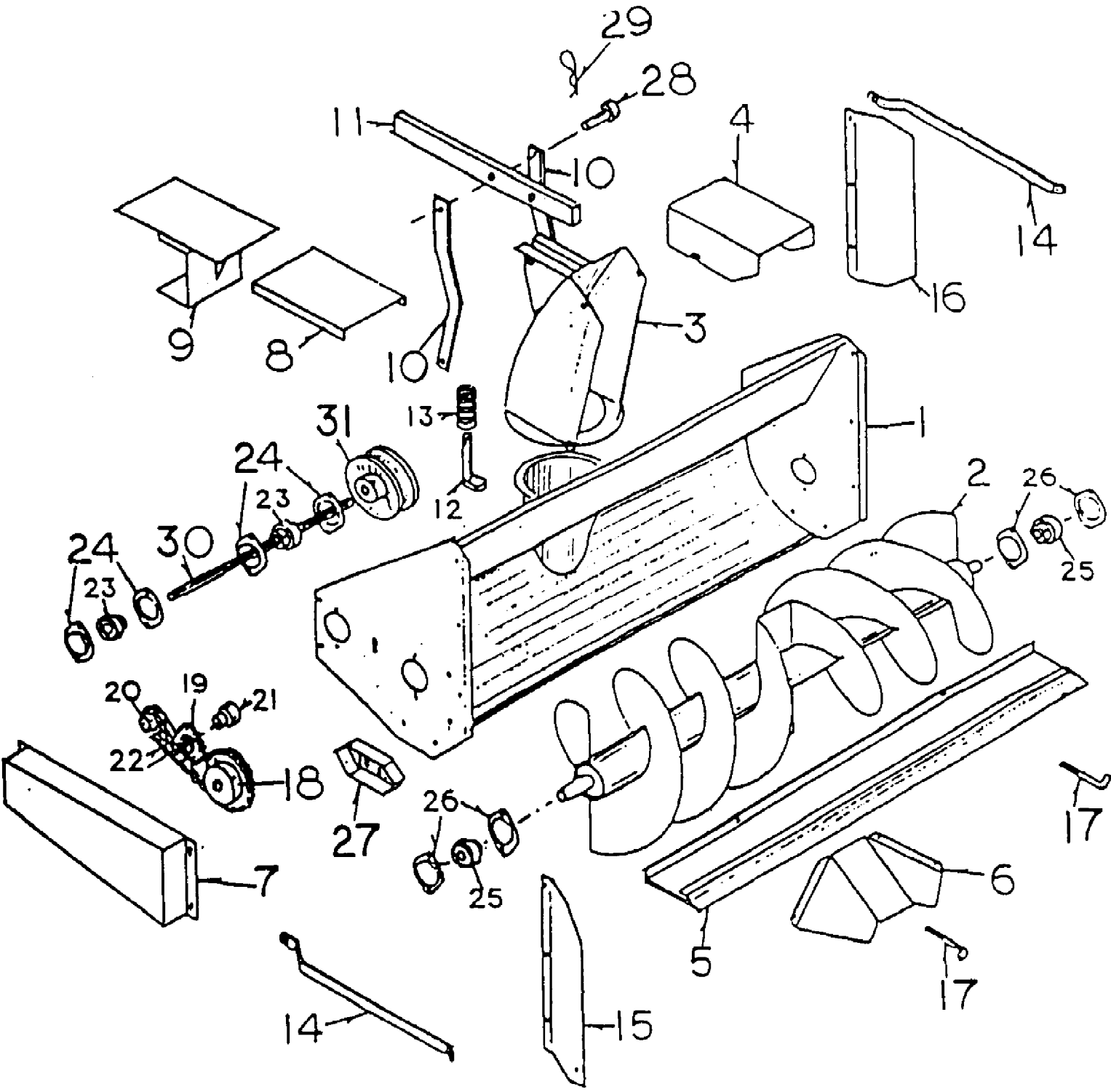




FR-18C (1985)  
Grass Box

Page 18 of 23

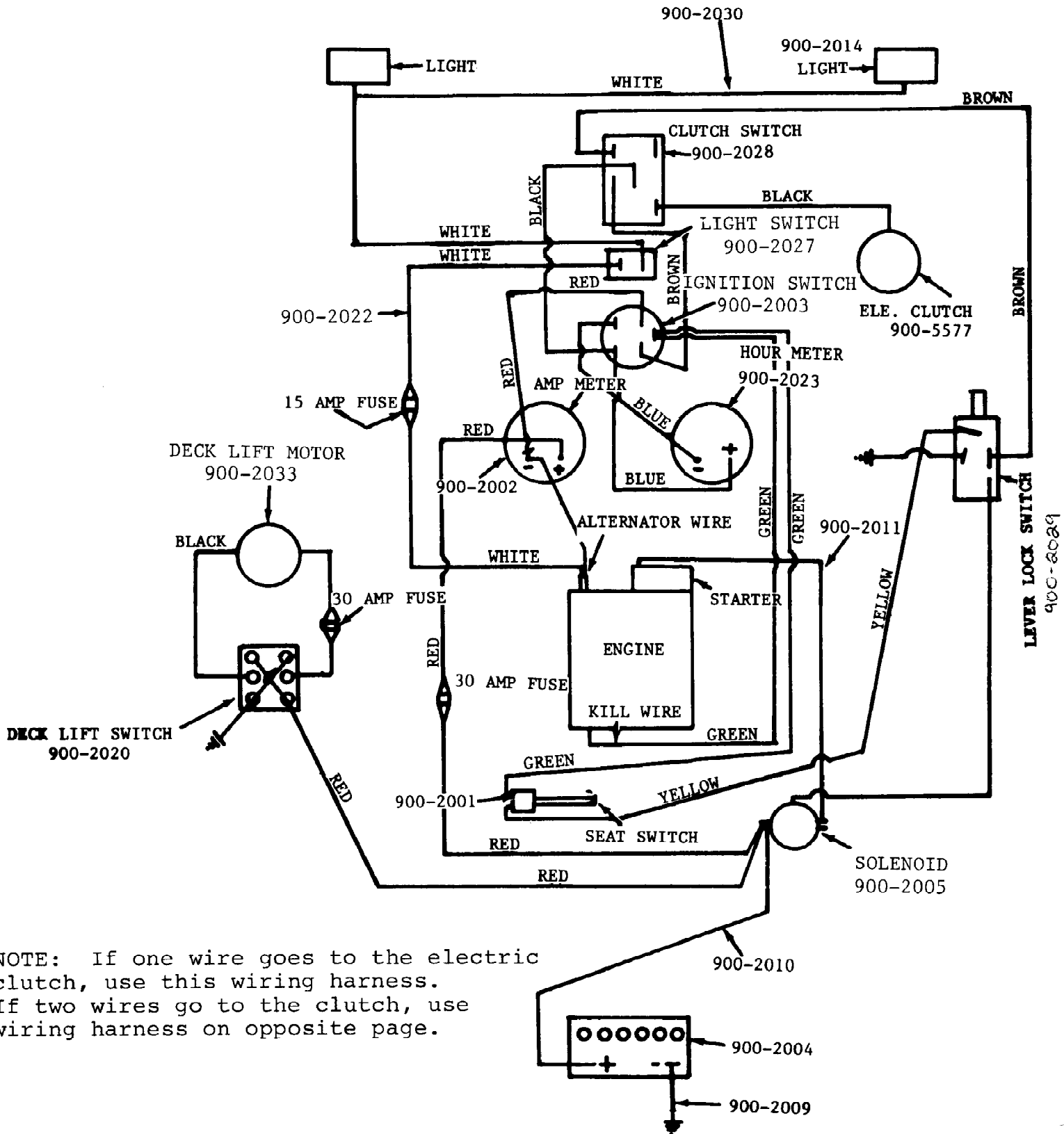
Ref #	Part Number	Qty	S/P/F	Description
1	WD-420-0000	1		GRASS BOX
2	WD-420-0001	1		DOOR
3	WD-420-0002	1		BOX MOUNT
4	WD-420-0003	2		DOOR LINKACE
5	WD-420-0004	1	S	MALE TUBE
6	WD-420-0005	1		PIVOT PIN
7	WD-900-5550	2		HOSE CLMP
8	WD-900-5552	1	S	HOSE
9	WD-900-5500	2	S	HANDLE CRIP
10	WD-900-5554	1		VENT BAC
11	WD-900-5556	1		SPRING
12	WD-900-5557	2		BAG ROPE
13	WD-900-5558	1		MALE TUBE ROPE



FR-18C (1985)  
Snow Blower

Page 20 of 23

Ref #	Part Number	Qty	S/P/F	Description
1	WD-430-0000	1		SNOWBLOWER BLADE
2	WD-430-0001	1		AUGER
3	WD-430-0002	1		CHUTE
4	WD-430-0003	1		SNOW DEFLECTOR
5	WD-430-0004	1		BLADE
6	WD-430-0005	1		SNOW RETAINER
7	WD-430-0006	1		CHAIN GUARD
8	WD-430-0007	1	F	BELT GUARD
9	WD-430-0008	1	F	BELT RETAINER
10	WD-430-0009	2		CHUTE LOCK LINKAGE
11	WD-430-0010	1		HANDLE
12	WD-430-0011	1		CHUTE LOCK
13	WD-900-5579	1		CHUTE LOCK SPRING
14	WD-430-0012	2		EXTENDER BRACES
15	WD-430-0013	1		R.H. EXTNDER
16	WD-430-0014	1		L.H. EXTNDER
17	WD-430-0015	2		BLADE BOLT
18	WD-900-1508	1		AUGER SPROCKET
19	WD-900-1507	1		IDLER SPROCKET
20	WD-900-1506	1		DRIVE SPROCKET
21	WD-430-0016	1		IDLER SPROCKET BUSHINS
22	WD-900-1006	1		CHAIN
23	WD-900-3509	2	S	3/4 BEARING
24	WD-900-3508	4	S	3/4 BEARING FLANGE
25	WD-900-3512	2	S	1 In. BEARING
26	WD-900-3511	4	S	1 In. BEARING FLANGE
27	WD-430-0017	2		SKID SHOSS
28	WD-900-5519	1		PIN
29	WD-900-5520	1		HAIR PIN
30	WD-430-0018	1		SHAFT
31	WD-900-2510	1		PULLEY



FR-18C (1985)  
Wiring Harness 900-2030

Page 22 of 23

Ref #	Part Number	Qty	S/P/F	Description
900-2030	900-2030	1		
900-2014	900-2014	1		
900-2028	900-2028	1		
900-2027	900-2027	1		
900-2003	900-2003	1		
900-2023	900-2023	1		
900-2022	900-2022	1		
900-2003	900-2003	1		
900-2002	900-2002	1		
900-2020	900-2020	1		
900-2001	900-2001	1		
900-2004	900-2004	1		
900-2004	900-2004	1		
900-2010	900-2010	1		
900-2005	900-2005	1		
900-2011	900-2011	1		
900-2029	900-2029	1		
900-5570	900-5570	1		

